



MODEL

112 (i8)

SITUATION

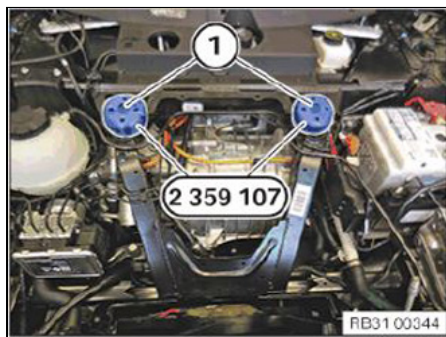
Distribution of the following tools will be through the Automatic Tool Shipment Program. Additional tools may be ordered through your Regional Distribution Center (RDC). All prices in this bulletin are introductory prices and are only valid at the time of initial publication.

Important

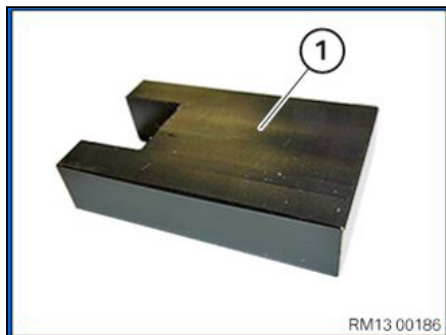
Only properly trained personnel, who have passed all applicable technical training courses, should perform any maintenance or repairs on any Hybrid or Electric Vehicle. Work performed by unqualified persons may result in severe injury or damage to the vehicle. Additional information may be found in REP 61 00... Observe safety instructions when handling electric vehicles.



Support Washers
Order P/N 83 30 2 359 107
Price - \$57.82

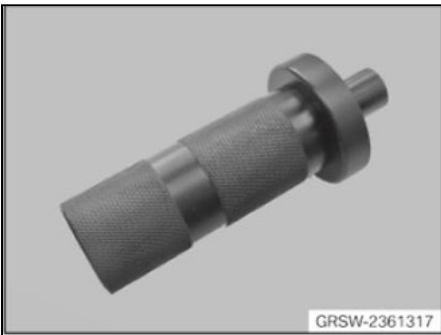
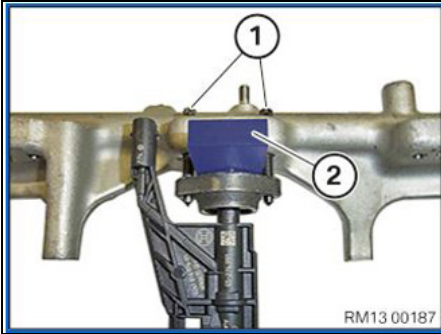


- The support washers (1) are used when inserting the top support bearings and to fix the electric machine in the installation position.
- For complete repair information on this tool, refer to ISTA Repair Manual section 31 10 000.



Distance Gauge
Order P/N 83 30 2 358 022
Price - \$12.29

- The distance gauge is used to properly align the injector during installation.
- Tighten the injector screws (1) equally by hand until the distance gauge (2) rests against the retaining bridge.
- For complete repair information on this tool, refer to ISTA Repair Manual section 13 53 318.

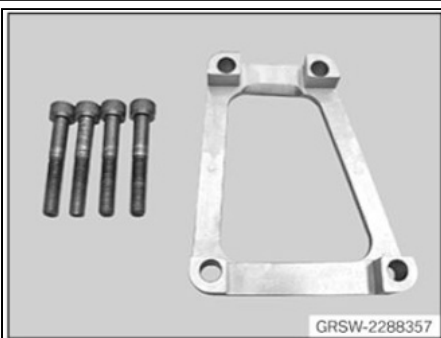


Seal Installer
 Order P/N 83 30 2 361 317
 Price - \$29.01

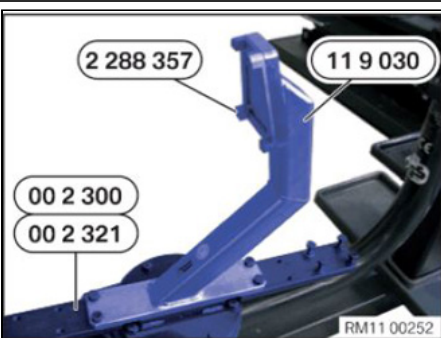


- This tool installs the radial shaft seal on the output end of the GE2I12GK transmission.
- For complete repair information on this tool, refer to ISTA Repair Manual section 27 21 080.

Distribution of the following tool will not be through the Automatic Tool Shipment Program. Tools may be ordered through your Regional Distribution Center (RDC). All prices in this bulletin are introductory prices and are only valid at the time of initial publication.



Adapter Plate
 Order P/N 83 30 2 288 357
 Price - \$92.00



- The adapter plate is used to mount the B38 engine on the engine stand.
- For complete repair information on this tool, refer to ISTA Repair Manual section 11 00 ...

SPECIAL TOOL WARRANTY

Terms of the Parts department Special Tool Warranty can be viewed and printed by following the path below.

- Go to TIS.
- Select “Tools and Equipment.”
- Select “Special Tool Parts Warranty.”