



MODEL

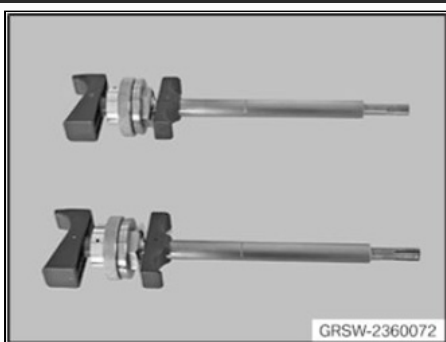
112 (i8)

SITUATION

Distribution of the following tool will be through the Automatic Tool Shipment Program. Additional tools may be ordered through your Regional Distribution Center (RDC). All prices in this bulletin are introductory prices and are only valid at the time of initial publication.

Important

Only properly trained personnel, who have passed all applicable technical training courses, should perform any maintenance or repairs on any Hybrid or Electric Vehicle. Work performed by unqualified persons may result in severe injury or damage to the vehicle. Additional information may be found in REP 61 00... Observe safety instructions when handling electric vehicles.



HV Battery Cell Module Tool
Order P/N 83 30 2 360 072
Price - \$225.79

- One order consists of 2 pieces.
- Never use a tool that is damaged.
- Never oil or grease this tool.

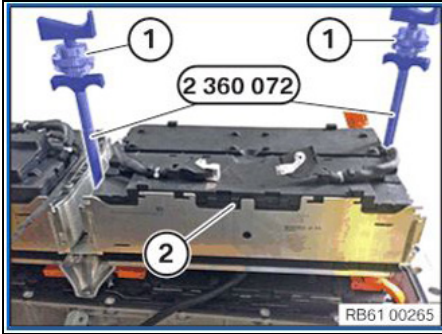


- The HV battery cell module tool provides safe handling of the high-voltage battery cells during removal and replacement.
- Turning the knurled nut counter-clockwise releases the tool.
- The tool is always inserted in the released state.



- Turning the knurled nut clockwise expands the tool.
- The expanded state is used for lifting and lowering the HV battery cell module.

- Insert the cell module tools diagonally opposite each other on the cell module to be removed.
- Turn the knurled nut (1) by hand to its limit.
- Carefully lift out the cell module.
- Reverse to replace the cell module.
- For complete repair information on this tool, refer to ISTA Repair Manual section 61 27 622.



SPECIAL TOOL WARRANTY

Terms of the Parts department Special Tool Warranty can be viewed and printed by following the path below:

- Go to TIS.
- Select "Tools and Equipment."
- Select "Special Tool Parts Warranty."