

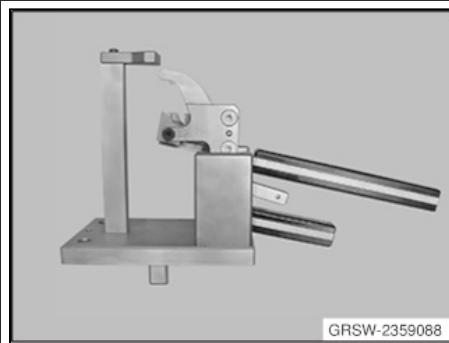


MODEL

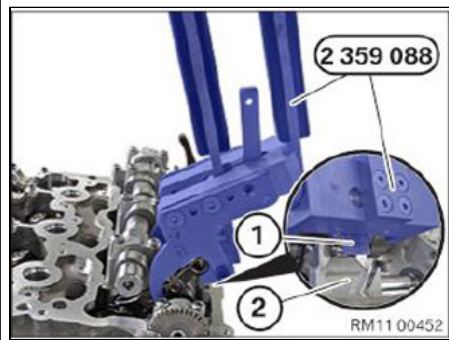
112 (i8)

SITUATION

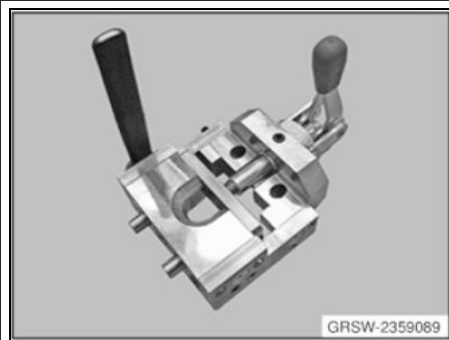
Distribution of the following tools will be through the Automatic Tool Shipment Program. Additional tools may be purchased through your Regional Distribution Center (RDC). All prices in this bulletin are introductory prices and are only valid during the Automatic Tool Shipment.



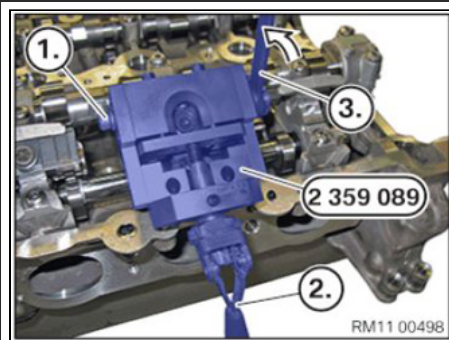
Torsion Spring Tool
P/N 83 30 2 359 088
Price - \$539.50



- The torsion spring tool is used for removal and installation of the torsion spring on the intermediate lever.
- For complete repair information on this tool, refer to ISTA Repair Manual section 11 37 010.



Fixture
P/N 83 30 2 359 089
Price - \$317.51



- The fixture is used to remove and install the intermediate levers.
- (1) Adjustment screw, (2) preload gate lever, (3) tightening gate lever
- For complete repair information on this tool, refer to ISTA Repair Manual section 11 37 010.

SPECIAL TOOL WARRANTY

Terms of the Parts department Special Tool Warranty can be viewed and printed by following the path below:

- Go to TIS.
- Select “Tools and Equipment.”
- Select “Special Tool Parts Warranty.”