

**MODEL**

All

All vehicles with the B38, B48, N20, N26, N63, N63R, N63TU, S63TU, S63M, and N74R engines

SITUATION

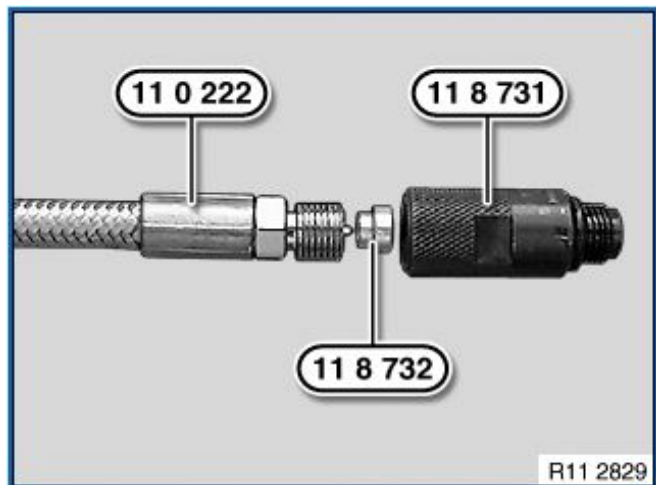
Distribution of the following tool will be through the Automatic Tool Shipment Program. Additional tools may be purchased through your Regional Distribution Center (RDC). All prices in this bulletin are introductory prices and are only valid during the Automatic Tool Shipment. Shipments of special tools may be delayed up to 2 weeks (after publication) depending on the RDC workload.



Compression Adapter with Sealing Ring

Order P/N 83 30 0 496 107

Price= \$54.28



The compression adapter is used with 83 30 2 410 242 and the 100 bar pressure sensor to test the engines cylinder compression. Number 118 731 & 118 732 (sealing ring) are not available separately. They are only available as a set under 83 30 0 496 107. For complete detailed information on this tool refer to ISTA Repair Manual section 11 00 039.

WARRANTY INFORMATION

Terms of the Parts department Special Tool Warranty can be viewed and printed by following the path below:

- Go to TIS.
- Select "Tools and Equipment."
- Select "Special Tool Parts Warranty."