



MODEL

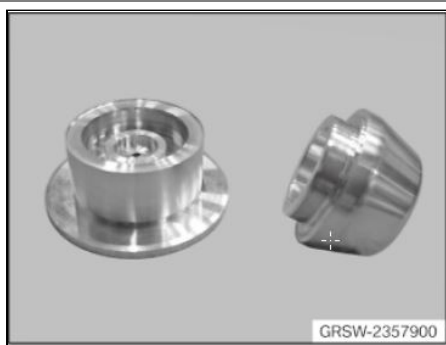
112 (i8)

SITUATION

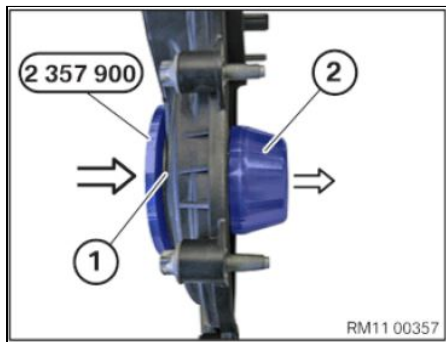
Distribution of the following tools will be through the Automatic Tool Shipment Program. Additional tools may be purchased through your Regional Distribution Center (RDC). All prices in this bulletin are introductory prices and are only valid at the time of initial publication.

Important:

Only properly trained personnel, who have passed all applicable technical training courses, should perform any maintenance or repairs on any Hybrid or Electric Vehicle. Work performed by unqualified persons may result in severe injury or damage to the vehicle. Additional information may be found in REP 61 00... Observe safety instructions when handling electric vehicles.



Seal Installer
Order P/N 83 30 2 357 900
Price - \$29.03



- Used to properly install the front radial shaft seal in the timing case cover.
- For complete repair information on this tool, refer to ISTA Repair Manual section 11 14 200.

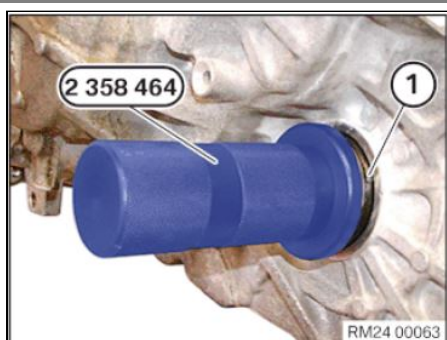


Locking Pin
Order P/N 83 30 2 288 380
Price - \$25.52

- The locking pin is used to lock cylinder #1 at top dead center to check the camshaft timing.
- For complete repair information on this tool, refer to ISTA Repair Manual section 11 31 005.



Seal Installer
Order P/N 83 30 2 358 464
Price - \$29.63



- Used to install the left radial shaft seal on the differential.
- For complete repair information on this tool, refer to ISTA Repair Manual section 24 21 221.

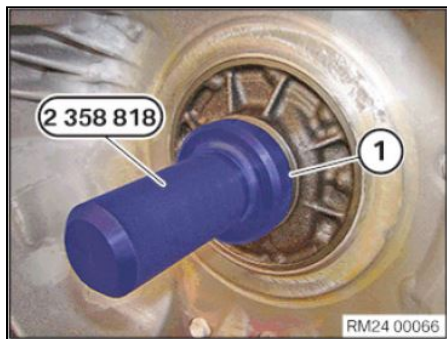


Seal Installer
Order P/N 83 30 2 358 465
Price - \$30.86



- Used to install the right radial shaft seal on the differential.
- For complete repair information on this tool, refer to ISTA Repair Manual section 24 31 221.

Seal Installer
Order P/N 83 30 2 358 818
Price - \$27.35



- Used to install the radial shaft seal on the driveshaft.
- For complete repair information on this tool, refer to ISTA Repair Manual section 24 21 516.