



## MODEL

112 (i8)

## SITUATION

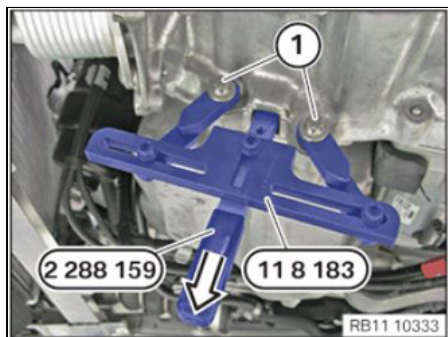
Distribution of the following tools will be through the Automatic Tool Shipment Program. Additional tools may be ordered through your Regional Distribution Center (RDC). All prices in this bulletin are introductory prices and are only valid at the time of initial publication.

### Important:

**Only properly trained personnel, who have passed all applicable technical training courses, should perform any maintenance or repairs on any Hybrid or Electric Vehicle. Work performed by unqualified persons may result in severe injury or damage to the vehicle. Additional information may be found in REP 61 00... Observe safety instructions when handling electric vehicles.**



Holding Tool  
Order P/N 83 30 2 288 159  
Price - \$39.49

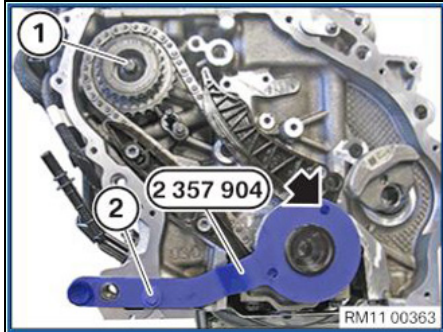


- The Holding Tool is used to hold the crankshaft vibration damper during removal and installation.
- Use with P/N 118 180 - 83 30 0 493 587.
- For complete repair information on this tool, refer to ISTA repair manual section 11 23 010.

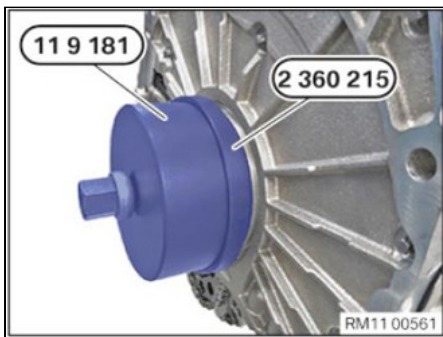


Alignment Gauge  
Order P/N 83 30 2 357 904  
Price - \$54.50

- The Alignment Gauge Tool is used to position the high-pressure pump in relation to the crankshaft.
- For complete repair information on this tool, refer to ISTA repair manual section 11 31 052.



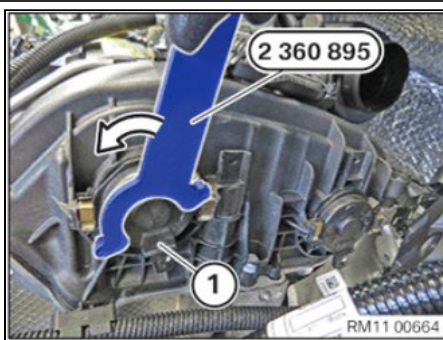
Seal Adapter  
Order P/N 83 30 2 360 215  
Price - \$21.14



- The Seal Adapter is used to install the rear radial shaft seal.
- Use with 119 180/181 – 83 30 0 493 881.
- For complete repair information on this tool, refer to ISTA repair manual section 11 14 110.



Pin Wrench  
Order P/N 83 30 2 360 895  
Price - \$24.77



- The Pin Wrench is used to remove and install the camshaft magnetic actuators.
- For complete repair information on this tool, refer to ISTA repair manual section 11 36 655.

## WARRANTY INFORMATION

Refer to Parts Logistics bulletin B-32-0514-0604, page 7-8, for special tool warranty details. A copy of this bulletin can be downloaded from TIS, on the Tool and Equipment page.

