



### What's New:

- Spoiler replacement, warranty, and parts information added

## MODEL

G01 (X3)		
----------	--	--

## SITUATION

BMW Group is conducting a Voluntary Safety Recall (effective March 2, 2018) on Model Year 2018 X3 SAV vehicles produced from Start-of-Production (September 1, 2017) through February 23, 2018. Affected vehicles may not have been produced with all necessary screws which attach the rear spoiler to the vehicle.

Approximately 16,448 vehicles are affected by this delivery stop / recall.

Affected vehicles will show the campaign as "Open" when checked either in Warranty Vehicle Inquiry system, AIR or ISPA Next. The affected vehicles will be identified with the description: **0051270400 B510518 Recall: Check Rear Spoiler**

Owners were already notified via First Class mail, advising them of this recall. The Q&A has been attached for further information.

## CAUSE

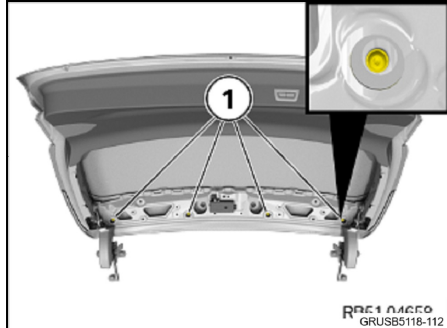
Vehicles may not have been produced with all necessary screws which attach the rear spoiler to the vehicle.

## CORRECTION

**UPDATE!** In the extremely rare case that the vehicle has lost the rear spoiler, replacement will be required.

## PROCEDURE

	<ol style="list-style-type: none"> <li>1. Remove the upper hatch panel window trim, following repair instructions <b>REP 51 49 003 Removing and installing/replacing trim for rear window frame on left or right.</b></li> </ol>
	<ol style="list-style-type: none"> <li>2. Determine if there are 4 screws present which attach the spoiler to the rear hatch.  Are all 4 screws installed correctly?  <b>Yes:</b> Proceed to step 3.  <b>No:</b> Proceed to step 4.</li> </ol>



3. Using a suitable marker, mark the screw heads of all 4 screws indicating that they have been inspected. Afterwards, the vehicle can be reassembled and no additional repairs are required.

4. Install and torque the spoiler mounting screws to 2nm.

**UPDATE!** If the vehicle lost the rear spoiler, replace the rear spoiler following repair instruction **REP 51 71 407 Replace the rear spoiler.**

## PARTS INFORMATION

Parts are only needed for those vehicles that fail the inspection procedure.

For Procedure step # 4:

Part Number	Description	Quantity
07 14 7 187 828	Fillister head screw with collar	4

**UPDATE!** If the vehicle lost the rear spoiler, the required additional parts to repair the vehicle can be ordered and claimed under the defect code listed below.

Also refer to ETK/EPC and the repair instructions for onetime-use fasteners/screws and other information regarding repair-related gaskets, seals, fluid and/or lubricants that also need to be replaced/used and claimed.

## WARRANTY INFORMATION

Vehicles that fail the inspection procedure must be repaired before they can be retailed.

Reimbursement for this Recall campaign will be via normal claim entry utilizing the following information:

<b>Defect Code:</b>	<b>0051270400</b>	
---------------------	-------------------	--

Completion “before” vehicle delivery to the customer or the vehicle is already in the workshop (Rear spoiler is in place)

Labor Operation:	Labor Allowance:	Description:
00 66 541	3 FRU	Inspect mounting screws for rear spoiler (No repair is necessary) (Plus work)
Or:		

00 66 542	3 FRU	Inspect mounting screws for rear spoiler and install the screws as necessary (Plus work)
-----------	-------	--

Or:

**Completion after vehicle delivery to the customer (Rear spoiler is in place)**

Labor Operation:	Labor Allowance:	Description:
00 66 028	5 FRU	Inspect mounting screws for rear spoiler (No repair is necessary) (Main work)
Or:		
00 66 029	5 FRU	Inspect mounting screws for rear spoiler and install the screws as necessary (Main work)

Or:

**UPDATE!** The rear spoiler has fallen off (damaged or lost)

For this situation, in place of the above information, claim the spoiler replacement repair procedure below that applies instead

**BMW Workshop Repair Portion**

Labor Operation:	Labor Allowance:	Description:
51 71 407	Refer to KSD2	Replace the rear spoiler (Main work)
51 71 921	Refer to KSD2	Replace the rear spoiler (Plus work)

And, in conjunction with above:

**Sublet to only paint the replacement rear spoiler**

Or:

**Sublet to paint and install the replacement rear spoiler (complete body shop repair)**

Labor Operation:	Labor Allowance:	Description:
Sublet Code 3	See Below	Paint finish repairs (Third-party sublet invoice)

**Note:** Aftersales Area Manager (AAM) "Field Authorization" (FAS) is **not** required.

Invoice, claim and submit for the BMW part numbers for the rear spoiler and any additional related parts that your center provided to the body shop.

Invoice the corresponding and eligible paint and refinish work in sublet on the repair order at the actual cost charged with no handling or markup. The sublet must also include any discounts or allowances.

Appropriate charges are determined by comparing them to the corresponding warranty rates. Prior to performing the repair, calculate your center's repair cost and then obtain outside repair estimate(s) as required for price comparison purposes.

**It is your center's responsibility to review the repair cost estimate prior to the repair being performed. This will help ensure that the amount requested for the refinish/paint work is customary,**

**fair and reasonable. Also, it must not exceed the scope of the repair work that is described in this bulletin.**

On the repair order and in claim comment section, identify the repair procedure that was performed and itemize the corresponding sublet amount

### **TREAD Act - Previous Customer-Pay Repairs**

Since the Recall affected vehicles were produced within the last six months (Based on March 2018), reimbursement requests for prior customer-pay repairs that specifically address the issue described in this Recall bulletin are not very likely.

Posted: Wednesday, May 9, 2018

### **ATTACHMENTS**

View PDF attachment [B510518 Recall Notice](#).

View PDF attachment [2018-BMW-MY18-G01-RearSpoiler-QA-2Mar2018](#).