



RECALL 21V-298: FRONT SEAT SAFETY BELT BUCKLE

This Service Information Bulletin (Revision 3) replaces SI B72 02 21 **dated May 2021**.

**What's New** (Specific text highlighted):

- Procedure and Parts Section modified for safety belt retaining bolt (if needed)
- Warranty section TREAD ACT information

**MODEL**

E-Series	Model Description	Production Date
G20	3 Series Sedan	October 28, 2020 – January 11, 2021
G80	M3 Sedan	November 4, 2020 – March 16, 2021

**AFFECTED VEHICLES**

Vehicles which require this Campaign to be completed will show it as "Open" when checked either in AIR, the "Service Menu" of DCSnet (Dealer Communication System), ISPA Next or Warranty Vehicle Inquiry.

**SITUATION**

BMW AG has issued a Delivery Stop (effective April 21, 2021) on a small number of Model Year 2021 BMW 3 Series Sedan and M3 Sedan vehicles that were produced between October 28, 2020 and March 16, 2021. This has been changed to a Safety Recall as of April 28, 2021.

The retaining bolt for the safety belt buckle on the front seats may not be properly torqued. A rattling noise may be noticed from the bottom of the safety belt buckle when fastening the safety belt.

The Recall Notice and Q&A have been attached for further information.

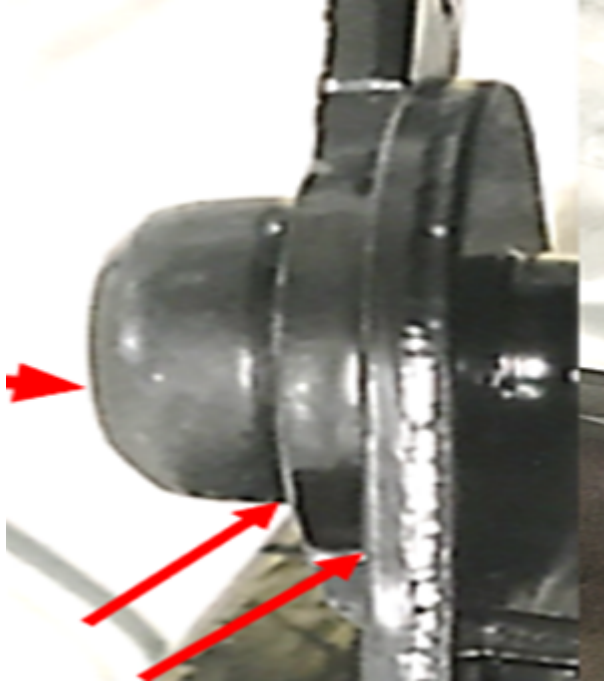
**CORRECTION**

Check the retaining bolt for the safety belt buckle on both front seats.

Rework if necessary.

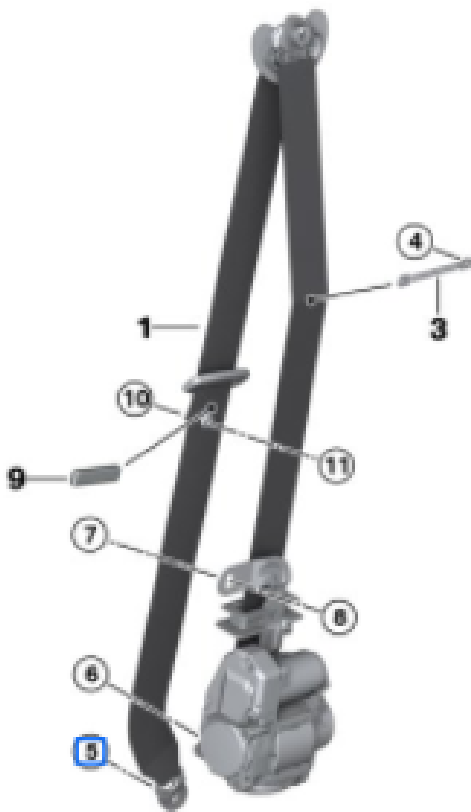
**PROCEDURE**

	<p>Check the bolt connection of the lower safety belt (belt buckle) on both front seats for correct screw connection.</p> <p>It is not necessary to remove the seats for this.</p>
	<p>Check whether the bolt for the lower safety belt buckle is in contact with the seat frame.</p> <p><b>Note:</b> Do not retighten or tighten the bolt.</p> <p>If the bolt is not screwed into contact with the seat frame, then the bolt must be replaced according to the repair instructions 72 11 255 Front lower belt.</p>



If removing the seat from within the vehicles interior to make the buckle repair, then additional bolt (5) 07 11 9 908 419 will have to be removed and replaced.

This bolt retains the bottom of the safety belt to the side of the seat.



**PARTS INFORMATION**

Only use and invoice the part numbers below that apply.

Performing a part number look-up in ETK (EPC) by VIN or model in place of using/invoicing the following part numbers may result with the wrong part numbers being invoiced and installed, this could delay the payment of the claim.

Part Number	Description	Quantity
72 11 9 909 471	Screw (aka bolt; M10x16) G20 / G80	1 per buckle If required
07 14 9 321 690	Fillister Head Screw G20 / G80	4 per seat If required
07 11 9 908 419	Flat-head screw G20 / G80	1 per belt If required

NOTE: Do not over stock these screws. Order as needed.

**WARRANTY INFORMATION**

Reimbursement for this Recall will be via normal claim entry utilizing the applicable work package information below, and when required, the part numbers listed above that apply.

<b>Defect Code:</b>	<b>0072250200</b>	---
---------------------	-------------------	-----

**Completion before the first vehicle delivery to a customer or the vehicle is already in the workshop.**

<b>Work Pkg</b>	<b>Labor Operation</b>	<b>Description (Plus work)</b>	<b>Labor Allowance</b>
# 1	00 70 882	Check screw connection of lower belt on both front seats <b>(No repair necessary)</b>	3 FRU
Or:			
# 2	00 70 883	Check screw connection of lower belt on <b>both front seats, re-fasten left and/or right</b>	6 FRU; 7 FRU (G20 330e xDrive)

Or:

**The vehicle arrives at your center and this Recall shows open (No other Main work will be performed or claimed during this workshop visit)**

<b>Work Pkg</b>	<b>Labor Operation</b>	<b>Description (Main work)</b>	<b>Labor Allowance</b>
# 3	00 70 334	Check screw connection of lower belt on both front seats <b>(No repair necessary)</b>	5 FRU
Or:			
# 4	00 70 335	Check screw connection of lower belt on <b>both front seats, re-fasten left and/or right</b>	8 FRU

Only one of the flat rate labor operation codes listed above can be used for claim submission and reimbursement. Also, only one Main work flat rate labor operation code can be claimed per workshop visit.

### **Claim Repair Comments**

Only reference the SIB number and the work package (Pkg) number performed in the RO technician notes and the claim comments (For example: B72 02 21 WP 1), unless otherwise required by State law.

### **Reimbursement of Prior Customer-Pay Repairs (TREAD Act)**

Based on the issue and the age of the Affected Vehicles being addressed by this Safety Recall Campaign, a reimbursement request for a qualifying prior customer-pay repair is not likely.

However, if you do receive a reimbursement request from a customer for a prior repair that may qualify, please contact the Warranty department (include a legible copy of the invoice) through IDS by selecting Coverage, Policy, Coding Questions and Mileage Corrections. The Warranty department will review and respond to your inquiry accordingly.

### **[QUESTIONS REGARDING THIS BULLETIN](#)**

Technical inquiries	Submit feedback at the top of this bulletin
Warranty inquiries	Please contact the Warranty department by either using the Live Chat that's available in the Warranty Documentation Portal or through IDS by selecting Coverage, Policy, Coding Questions and Mileage Corrections
Parts inquiries	Submit an IDS ticket to the Parts Department

### Supporting Materials

[picture as pdf B720221\\_FAQ.pdf](#)

[picture as pdf B720221 Recall Notice.pdf](#)